



SPARE PARTS LIST
ELECTRIC WATER HEATER GEYSER
Models

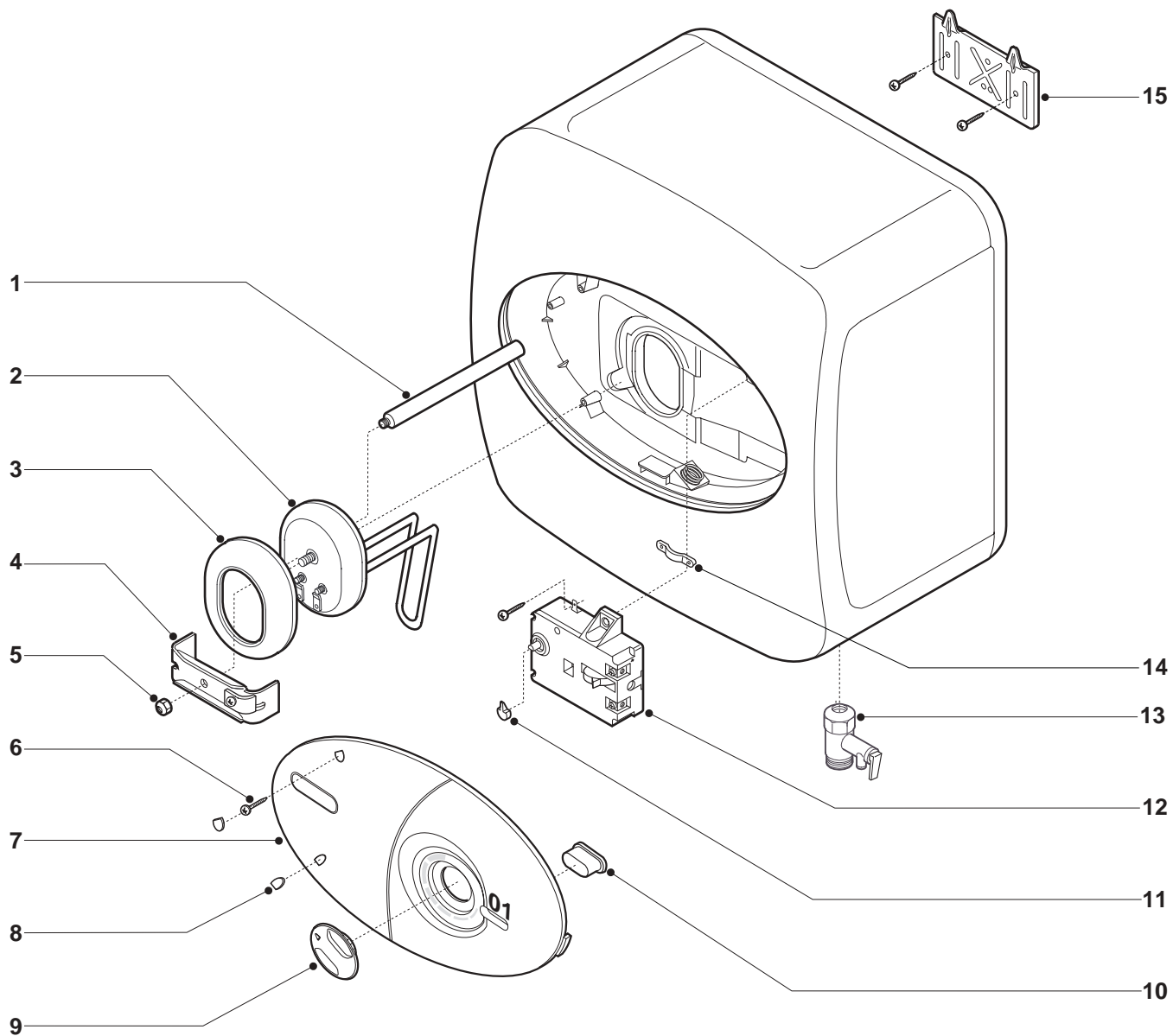
TI-SHAPE 10 OR EE

TI-SHAPE 15 OR EE

TI-SHAPE 30 OR EE

Edition 1 of 05 July 2004





MODELS	CODE	SERIAL NO. VALIDITY	REF.
TI-SHAPE 10 OR EE	877098	040705	A
TI-SHAPE 15 OR EE	877100	040705	B
TI-SHAPE 30 OR EE	877102	040705	C

PART.	CODE	DESCRIPTION	REF.	NOTE
1	570241	Anode (magnesium M4 16x210)	C	
1	574305	Anode (magnesium M4 14x155)	AB	
2	990966	Element (1500W 220-240V)	C	
2	990967	Element (1500W 220-240V)	AB	
3	65100282	Flange gasket (5 pcs)		
4	570024	Flange bracket		
5	570069	Retaining nut (Heating element) (20 pcs)		
6	570074	Screw (6Px15.87) (20 pcs)		
7	65100872	Plastic cover		
8	65100874	Screw cover (10 pcs)		
9	65100875	Knob		
10	65100873	Switch cover		
11	570029	Cap (regulation)		
12	691499	Thermostat (TIS 10A)	AB	
12	65101079	Thermostat (TIS 15A)	C	
13	571730	Safety valve (1/2" 8.1 Bar)		
14	573266	Cable clamp (5 pcs)		
15	570341	Heater wall hanging bracket		

NOTE	DESCRIPTION